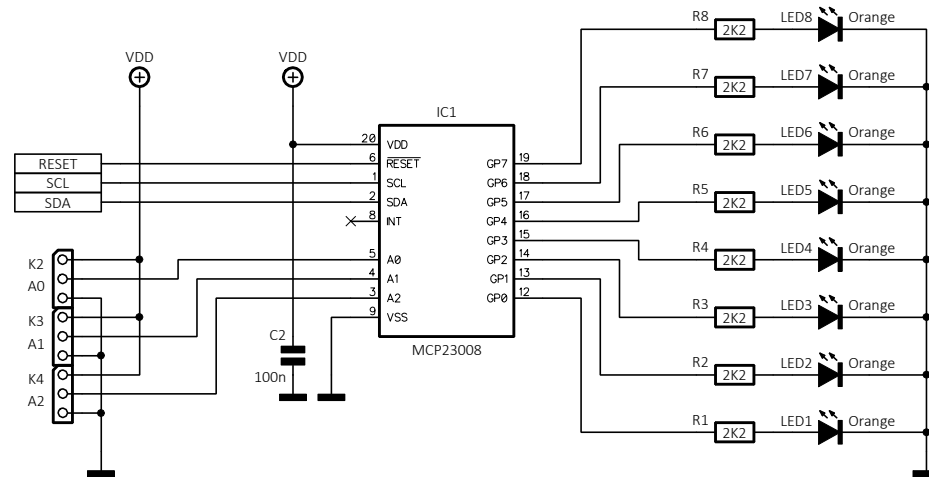


| | |
|----------|------|
| 0100000x | 0x40 |
| 0100001x | 0x42 |
| 0100010x | 0x44 |
| 0100011x | 0x46 |
| 0100100x | 0x48 |
| 0100101x | 0x4A |
| 0100110x | 0x4C |
| 0100111x | 0x4E |

| LED | RESISTOR |
|--------|----------|
| BLUE | 1K6 |
| RED | 2K |
| GREEN | 2K7 |
| ORANGE | 2K2 |

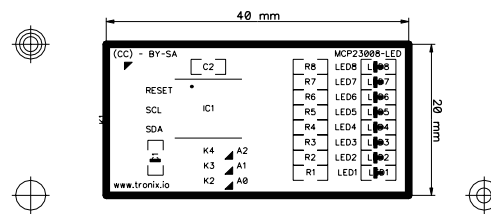


<http://creativecommons.org/licenses/by-sa/4.0/>

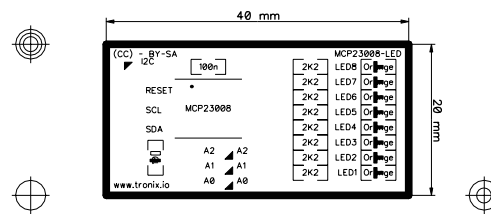
<http://www.tronix.io/>

MCP23008 LED

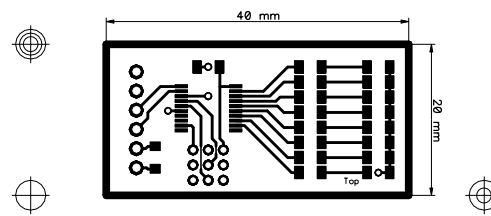
12/2017 Rev.B



MCP23008-LED - (12/2017) - SCALE: 100%



MCP23008-LED - (12/2017) - SCALE: 100%



MCP23008-LED - (12/2017) - SCALE: 100%

MCP3208-LED - (15\5017) - SCALE: 100x

