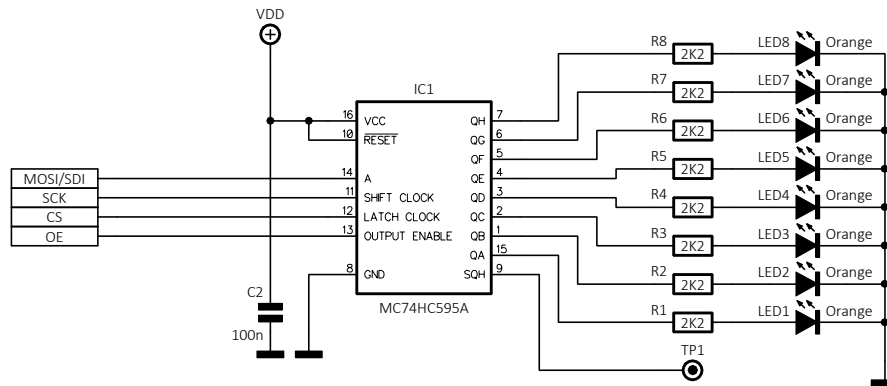


LED	RESISTOR
BLUE	1K6
RED	2K
GREEN	2K7
ORANGE	2K2



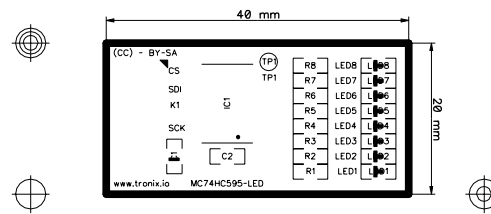
<http://creativecommons.org/licenses/by-sa/4.0/>

<http://www.tronix.io/>

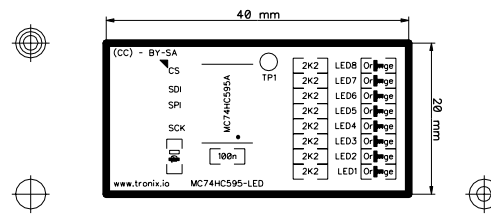
MC74HC595 LED

01/2018

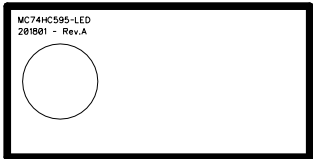
Rev.A



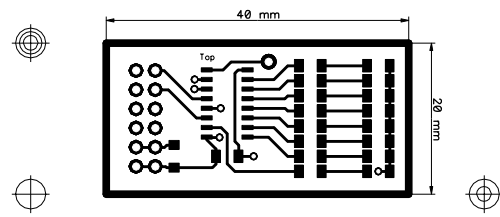
MC74HC595-LED - (01/2018) - SCALE: 100%



MC74HC595-LED - (01/2018) - SCALE: 100%



MC74HC595-LED - (01\2018) - SCALF: 100%



MC74HC595-LED - (01/2018) - SCALE: 100%

MC74HC292-ED - (01\598) - SCALE: 100x

